

Qingdao Zongjin Engineering Machinery Co.,Ltd.  
ADD: NO.88 Chunyang Rd , Chengyang , Qingdao , China  
<http://www.wolfloder.com>  
Tel:0086-532-66739792 ext 668



E-mail: [sunny@chinawheelloaders.com](mailto:sunny@chinawheelloaders.com)  
Mob: 0086-18640533643

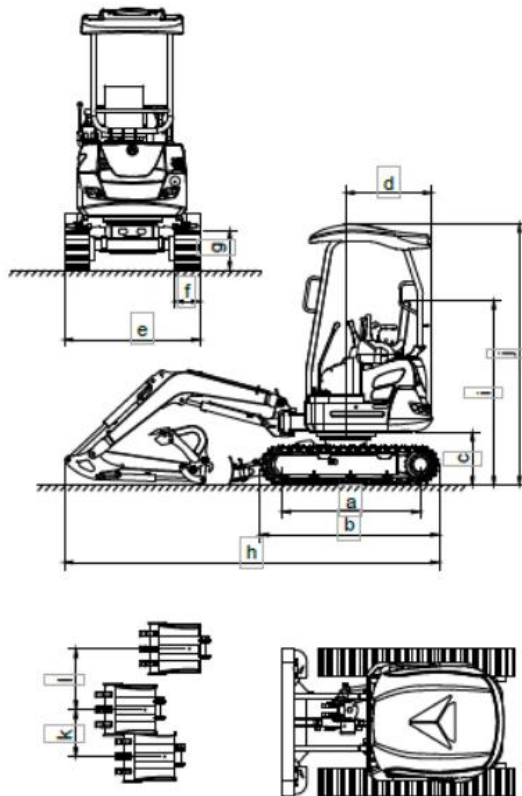
## WOLF mini excavator **WE20E** SPECIFICATION



Qingdao Zongjin Engineering Machinery Co.,Ltd.  
 ADD: NO.88 Chunyang Rd , Chengyang , Qingdao , China  
<http://www.wolfloder.com>  
 Tel:0086-532-66739792 ext 668



E-mail: [sunny@chinawheelloaders.com](mailto:sunny@chinawheelloaders.com)  
 Mob: 0086-18640533643



Model	WE20E
Operating Weight	2000kg
Digging bucket capacity	0.05cbm/500kg
Digging bucket width	420mm, can add narrow bucket is 200mm
Engine	Yanmar (3TNV70-S)
Rated power	10kw/2200/r/min
Displacement	0.854L
Bore stroke	three cylinder, water cool
Main pump	JAPAN NAICH
Pump flow	23.3L/Min
Hydraulic oil tank capacity	15.3L
Engine oil tank capacity	2.8(1.3)L
Diesel tank capacity	19 L
Valve	JAPAN KYB
Displacement	6.8ml/r
Swing motor	EATON
Traveling motor	EATON
<b>MAIN DEMENSIONS</b>	
Overall dimension( LxWxH)	3400x1040x2350mm
Total length of track on land	1590mm
Platform ground clearance	473 mm
Platform back turning radius	740 mm

Qingdao Zongjin Engineering Machinery Co.,Ltd.  
 ADD: NO.88 Chunyang Rd , Chengyang , Qingdao , China  
<http://www.wolfloder.com>  
 Tel:0086-532-66739792 ext 668



E-mail: [sunny@chinawheelloaders.com](mailto:sunny@chinawheelloaders.com)  
 Mob: 0086-18640533643

Chassis width	990 mm(retract)/ 1240mm(extended)
Track width	230 mm
Chassis ground clearance	460 mm
Bucket digging force	13.5kn
Arm digging force	10.1kn
Theoretical Maximum traction	17.5Kn
Ground specific pressure	32.8KPA
Boom length	1780mm
Arm length	925mm
Track height	360 mm
Swing boom to left	390 mm
Swing boom to right	510 mm
<b>OPERATING RANGE</b>	
Max. Digging depth	2150 mm
Max. Vertical digging depth	1740 mm
Max. Digging height	3275 mm
Max. Dumping height	2310 mm
Max. Digging radius on ground	3610 mm
Min. Rotation radius	1580 mm
Max. Upgrade height of bulldozer blade	275 mm
Max. Digging depth of bulldozer blade	180 mm