

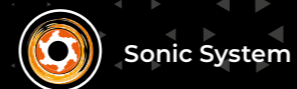
FORESTRY MULCHERS FOR EXCAVATORS

BL3/EX/VT - BL3/EX/SONIC

The mulcher with Bite Limiter technology for large and midsize excavators

BL3/EX for 14-20 ton excavators mulches trees with a max. diameter of 20 cm and is available in two working widths: 134 cm and 158 cm. The rotor features Bite Limiter technology. Steel limiter rings limit the depth of cut, which reduces power demand and guarantees speed and exceptional performance.

The heat-treated forged-steel BL blades are durable and can be sharpened, lowering operating costs. BL3/EX has a 110/60 cc VT (Variable Torque) motor for noticeably better performance, increased torque when needed, and minimal risk of rotor stalling.



Sonic System



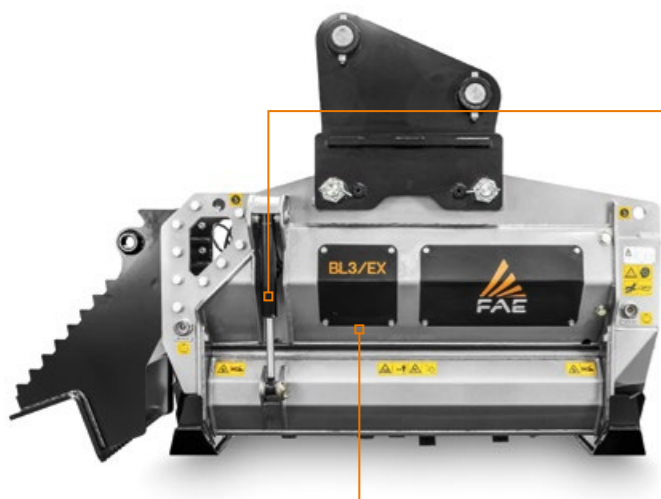
120-210 L/min



Ø 20 cm max



14-20 t



Hydraulic front hood
for optimal mulching, reduces the ejection of mulched material (optional)

Spike PRO counter-blade
the distribution of the new Spike PRO counter-blades inside the shredding chamber guarantees a better finish of the mulched material



Hydraulic piston motor
Variable Torque (VT)



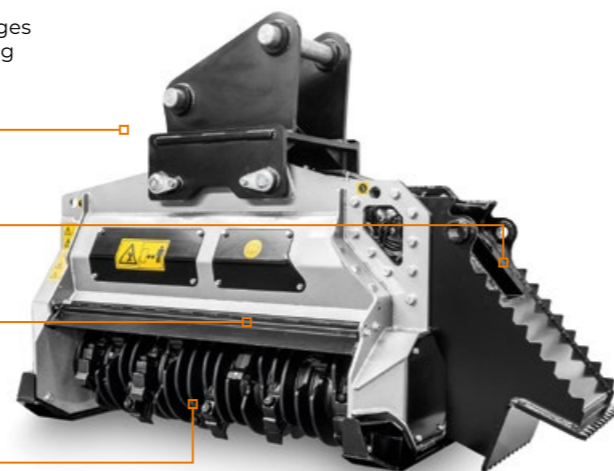
Sonic System
is a new automatic intelligent system that manages the hydraulic transmission. It makes the mulching machine to perform at the maximum capacity in all conditions (BL3/EX/SONIC)

Thumb bracket and hydraulic thumb
useful in moving material to be mulched (optional)

Adjustable material deflector
controls mulched material output for greater safety



Bite Limiter rotor
special steel limiter rings control the depth of cut



MAIN OPTIONS



Customized attachment bracket



Thumb bracket and hydraulic thumb
useful in moving material to be mulched

STANDARD EQUIPMENT

110/60cc variable torque hydraulic piston motor (120-210 L/min) (BL3/EX/VT)	Bulkhead for hydraulic connections
110cc variable torque hydraulic piston motor (120-210 L/min) (BL3/EX/SONIC)	Hydraulic front hood
Flow control system valve	Dedicated rear hood (deflector)
Diverter valve	Adjustable skids
Safety and anticavitation valve	Spike Pro counter-blade
Enclosed / anti dust machine body	Rotor Bite Limiter
Motor enclosed in the frame	Sonic System (BL3/EX/SONIC)
Poly Chain® belt transmission	

OPTIONS

Customized setting hydraulic motor (BL3/EX/VT)	Hydraulic thumb
Hydraulic front hood for excavator AUX line (BL3/EX/VT)	Customized attachment bracket with pins
Front fixed thumb bracked	

MODEL	BL3/EX/VT 125	BL3/EX/VT 150	BL3/EX/SONIC 125	BL3/EX/SONIC 150
Flow rate (L/min)	120-210	120-210	120-210	120-210
Pressure (bar)	180-350	180-350	180-350	180-350
Excavator weight (t)	14-20	14-20	14-20	14-20
Working width (mm)	1342	1582	1342	1582
Weight (kg)	1295	1370	1295	1370
Rotor diameter (mm)	440	440	440	440
Max shredding diameter (mm)	200	200	200	200
No. blades type BL + C/3/SS	20+2	24+2	20+2	24+2

Data refers to machine as standard. The technical data in this catalogue may be altered without prior notice.

ROTOR TYPE BL



BL BLADE
(standard)



C/3/SS
(side scraper)