

NEW

FORESTRY MULCHERS FOR EXCAVATORS

BL5/EX/VT - BL5/EX/SONIC

The mulcher for largest excavators, with Bite Limiter technology.

The BL5/EX for 24-36 ton excavators, mulches vegetation up to 40 cm in diameter and has a working width of 160 cm. This head is ideal for handling and removing vegetation in wooded areas, especially when a large shredding capacity and fast operational speed is required. The rotor with Bite Limiter technology

comes with special wear-resistant steel limiters that limit the teeth's reach. This cuts down on power demand, promotes a consistent working speed, optimizes fuel consumption and ensures excellent performance when mulching any kind of wood.



Sonic System



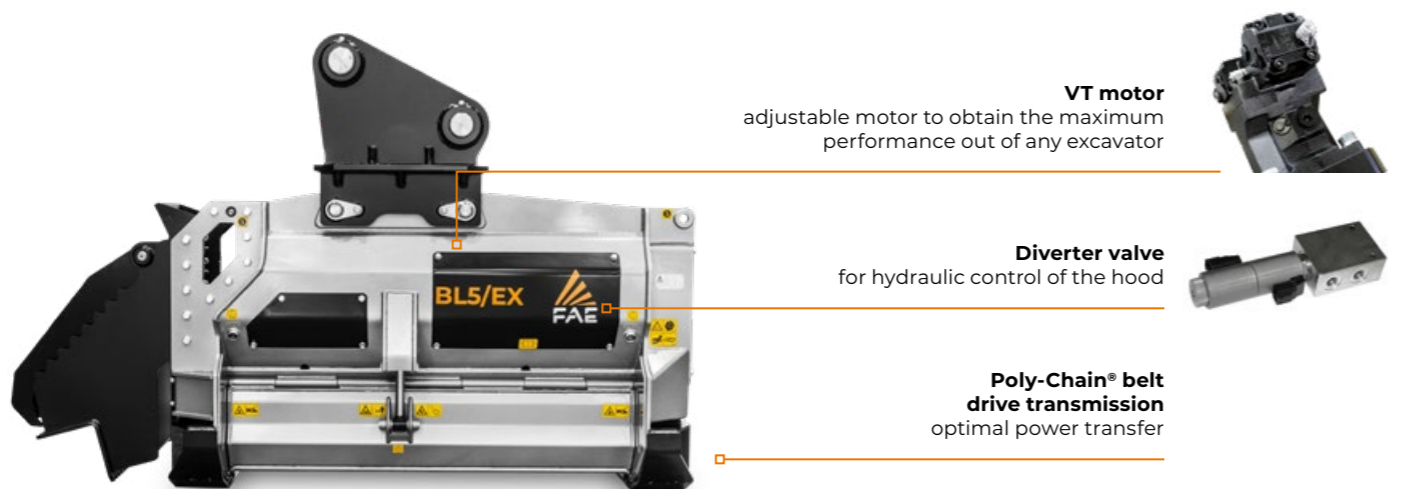
180-300 L/min



Ø 40 cm max



24-36 t



VT motor
adjustable motor to obtain the maximum performance out of any excavator

Diverter valve
for hydraulic control of the hood

Poly-Chain® belt drive transmission
optimal power transfer

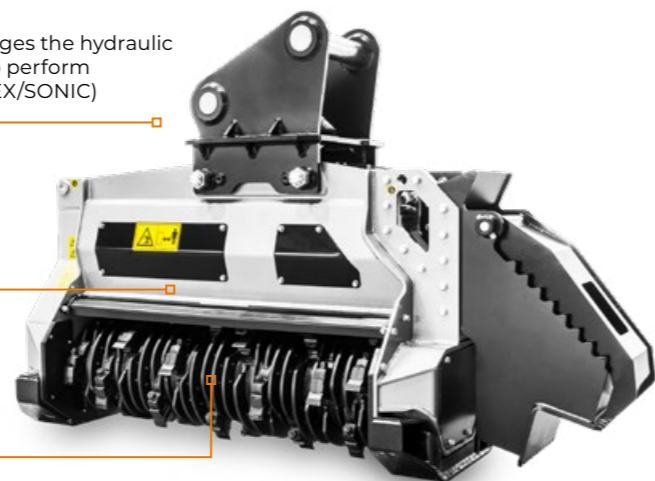


Sonic System
is a new automatic intelligent system that manages the hydraulic transmission. It makes the mulching machine to perform at the maximum capacity in all conditions (BL5/EX/SONIC)



Spike PRO counter-blades
for finer mulched material

Rotor with Bite Limiter technology
maximum productivity using the least amount of power



STANDARD EQUIPMENT

160/108cc variable torque hydraulic piston motor (180-300 L/min) (BL5/EX/VT)	Hydraulic front hood
160cc variable torque hydraulic piston motor (180-300 L/min) (BL5/EX/SONIC)	Dedicated rear hood (deflector)
Flow control system valve	Adjustable skirts
Diverter valve	Additional reinforced side plates
Safety and anticavitation valve	Front fixed thumb bracked
Enclosed / anti dust machine body	Spike Pro counter-blade
Motor enclosed in the frame	Rotor Bite Limiter
Poly Chain® Belt Transmission	Sonic System (BL5/EX/SONIC)
Bulkhead for hydraulic connections	

OPTIONS

Customized setting hydraulic motor (BL5/EX/VT)	Hydraulic thumb
Hydraulic front hood for excavator AUX line (BL5/EX/VT)	Customized attachment bracket with pins

MODEL	BL5/EX/VT* 150	BL5/EX/SONIC 150
Flow rate (L/min)	180-300	180-300
Pressure (bar)	240-350	240-350
Excavator weight (t)	24-36	24-36
Working width (mm)	1584	1584
Weight (kg)	2375	2375
Rotor diameter (mm)	517	517
Max shredding diameter (mm)	400	400
No. teeth type BL MAX	28	28

Data refers to machine as standard. The technical data in this catalogue may be altered without prior notice.
*Variable displacement hydraulic motor.

MAIN OPTIONS



Thumb bracket with hydraulic thumb
for handling material

ROTOR TYPE BL



BL BLADE MAX
(standard)