

FORESTRY MULCHERS

UML/LOW

Fixed-tooth mulcher for low profile tractors.

Its compact size and design features make the UML/LOW forestry mulcher perfect for tracked or wheeled tractors, even in orchards or vineyards. It works with 60-110 hp tractors and shreds bushes, branches and trees up to 20 cm in diameter.

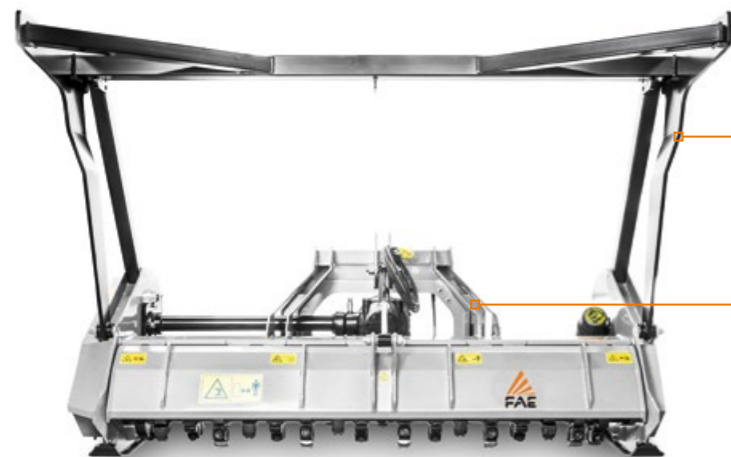
The low PTO helps the main universal joint work at the best angle, and its frame has been reinforced to withstand the axial loads caused when steering the carrier. Choose between blades or durable teeth suitable for rocky soil.



60-110 hp

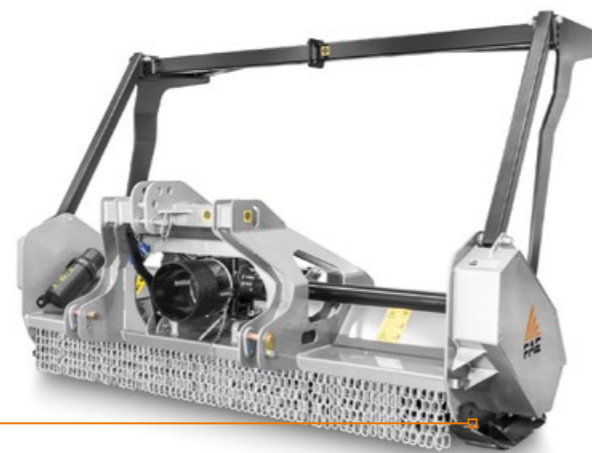


Ø 20 cm max



Mechanical push frame
(optional)

Heavy duty reinforced frame



Adjustable skids

STANDARD EQUIPMENT

Hydraulic rear hood	PTO shaft with cam clutch
Dual row protection chains	Bolted-on rotor shafts (in forged steel)
Transmission with belts	Welded steel counter-blades
Gearbox with freewheel	Adjustable skids
Possibility to choose Transmission 540 / 1000 rpm	

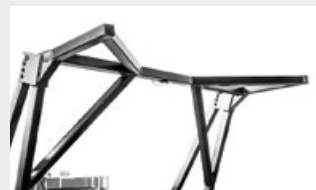
OPTIONS

Multiple tooth options	Special skids to go underground
Hydraulic top link	Mechanical guard frame

MODEL	UML/LOW 150	UML/LOW 175	UML/LOW 200
Tractor (hp)	60-100	70-110	80-110
PTO (rpm)	540-1000	540-1000	540-1000
Working width (mm)	1582	1822	2062
Total width (mm)	1877	2117	2357
Weight (kg)	930	1060	1190
Rotor diameter (mm)	420	420	420
Max shredding diameter (mm)	200	200	200
No. teeth type C/3+C/3/SS	32+2	36+2	42+2
type I+C/3/SS	42+2	42+2	42+2

Data refers to machine as standard. The technical data in this catalogue may be altered without prior notice.

MAIN OPTIONS



Mechanical push frame
guides and pushes material
away from carrier



**Special skids to go
underground**



Mulcher designed for tractors with a low profile PTO

ROTOR TYPE C



C/3
(standard)



C/3/HD
(option)



BL BLADE
(option - requires
adaptor)



K/3
(option)

ROTOR TYPE I



I
(option)



C/3/SS
(side scraper)